

THIS DRAWING IS AN UNCONTROLLED COPY UNLESS STAMPED OTHERWISE

CONTRACTORS SHALL VERIFY JOB DIMENSIONS BEFORE ANY JOB COMMENCES. ALL SHOP DRAWINGS SHALL BE SUBMITTED TO THE SUPERINTENDENT AND MANUFACTURER SHALL NOT COMMENCE FROM THE RETURN OF DRAWINGS SHOWN. BY THE CONSULTANT FOUR-DIGIT DIMENSIONS SHALL TAKE PRECEDENCE OVER SCALE. THIS DRAWING SHALL BE READ IN CONJUNCTION WITH ALL RELEVANT CONTRACT SPECIFICATIONS AND DRAWINGS COPYRIGHT OF THIS DRAWING IS VESTED IN NADAAA

General Notes

18mm E1 MDF CARCASS THROUGHOUT UNLESS OTHERWISE NOTED.

ALL NON EXPOSED CARCASS TO BE MATCHING LAMINATE UNLESS OTHERWISE NOTED.

ALL NON EXPOSED CARCASS TO BE BLACK LAMINATE TO JOINERY RECEIVING TIMBER VENEER FINISH, REFER MATERIALS SCHEDULE [PL.05]

ALL NON EXPOSED CARCASS TO BE WHITE LAMINATE TO JOINERY RECEIVING STAINLESS STEEL CLADDING, REFER MATERIALS SCHEDULE [PL.01]

ALL EXPOSED EDGES TO TIMBER VENEER PANELS TO RECEIVE 3mm THK MATCHING SOLID EDGES UNLESS OTHERWISE NOTED.

SPLIT BATTENS TO BE 12mm UNLESS OTHERWISE NOTED.

APPLY MATCHING LAMINATE ABS EDGING TO LAMINATED BENCHTOPS, UNLESS OTHERWISE NOTED.

REFER TO '1300 - MATERIALS SCHEDULE' FOR A DESCRIPTION OF THE MATERIAL CODES AS SHOWN ON THIS DRAWING. [T3.00]

REFER TO '1400 - FIXTURES, FITTINGS & EQUIPMENT SCHEDULE' FOR A DESCRIPTION OF THE FFAE CODES AS SHOWN ON THIS DRAWING. [J24.00]

ALL JOINERY LOCKS TO BE [H.02] UNLESS OTHERWISE NOTED.

REFER TO DRAWING AR7300 FOR MOUNTING HEIGHTS FOR ALL SERVICES FIXTURES, UNLESS OTHERWISE DIMENSIONED ON THE JOINERY ELEVATIONS.

ALL CORNER JUNCTIONS TO BE MITRED UNLESS OTHERWISE NOTED.

ALL UPHOLSTERY STITCHING TO MATCH FABRIC COLOUR UNLESS OTHERWISE NOTED.

DRAWINGS TO BE READ IN CONJUNCTION WITH AR1000 SERIES INTERNAL ARRANGEMENT PLANS TO COORDINATE FIXINGS INTO PARTITIONS WHERE NECESSARY.

FS = FIXED SHELF
 AS = ADJUSTABLE SHELF
 FP = FIXED PANEL
 PJ = PANEL JOIN, MAXIMUM WIDTH 2mm
 C.O.S = CHECK ON SITE - DIMENSIONS MUST BE VERIFIED ON SITE BY CONTRACTOR PRIOR TO COMMENCEMENT OF CONSTRUCTION.

NOM = NOMINAL
 TYP = TYPICAL
 SIM = SIMILAR
 MIRR = MIRROR
 FFL = FINISHED CEILING LEVEL
 FFL = FINISHED FLOOR LEVEL
 SSL = STRUCTURAL SLAB LEVEL
 C = CENTRELINE
 D = DIRECTION OF GRAIN / LINESH

Rev	Issue	Revision Description	And	Date
D	SG	JOINERY DELETED	-	20.05.14
C	SG	ISSUE FOR CONSTRUCTION	-	11.04.14
B	SG	ISSUE FOR CONSTRUCTION	-	03.02.14
A	SG	ISSUE FOR CONSTRUCTION	-	18.12.13
08	SG	100% CD - TENDER ISSUE	-	07.09.12
07	SG	90% CD ISSUE	-	10.08.12
06	SG	75% CD ISSUE	-	13.07.12
05	SG	50% CD ISSUE	-	01.06.12
04	SG	25% CD ISSUE	-	20.04.12
03	SG	FINAL DD ISSUE	-	24.02.12
		GEOMETRY & LAYOUT AMENDED		
		ELEVATION 04 ADDED		
02	SG	DD UPDATE	-	20.07.12
01	SG	DESIGN DEVELOPMENT ISSUE	-	22.12.11



NADAAA
 NADAAA
 1520 Washington Street No.2 Boston Massachusetts 02118 USA
 Telephone +1 817 442 8232 Facsimile +1 888 442 1417 Email nadaa@nadaa.com

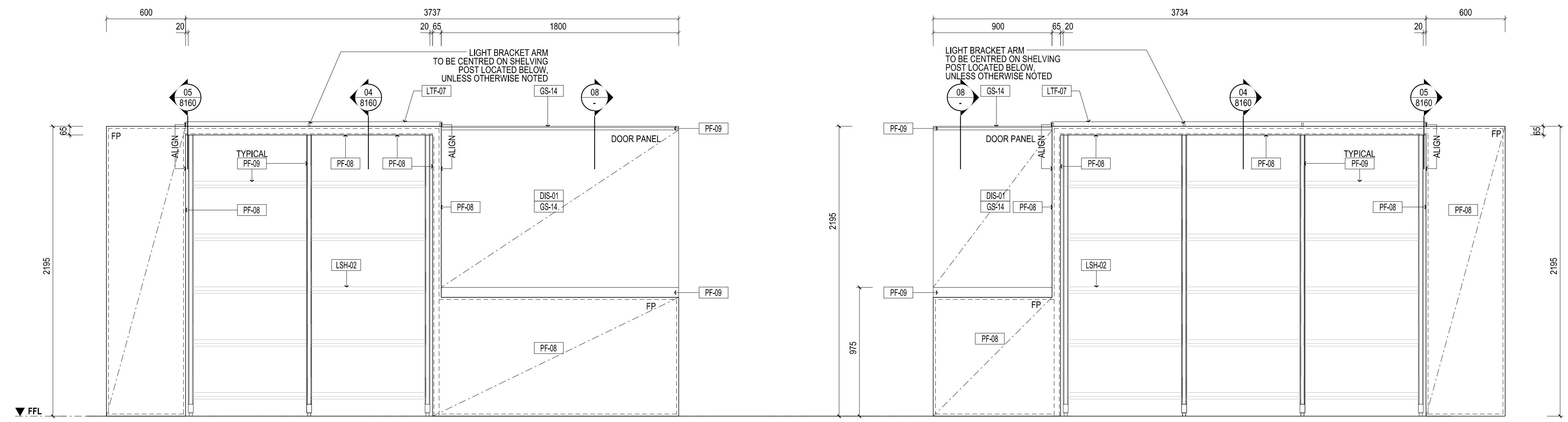
John Wardle Architects
 25 Rokeby Street, Collingwood, Victoria 3066 Australia
 Tel: +61 3 8662 0400 www.johnwardlearchitects.com
 © 2014 John Wardle Architects ABN 83 006 814 268

Client **University of Melbourne Parkville Campus**
 Project **Faculty of Architecture Building and Planning**

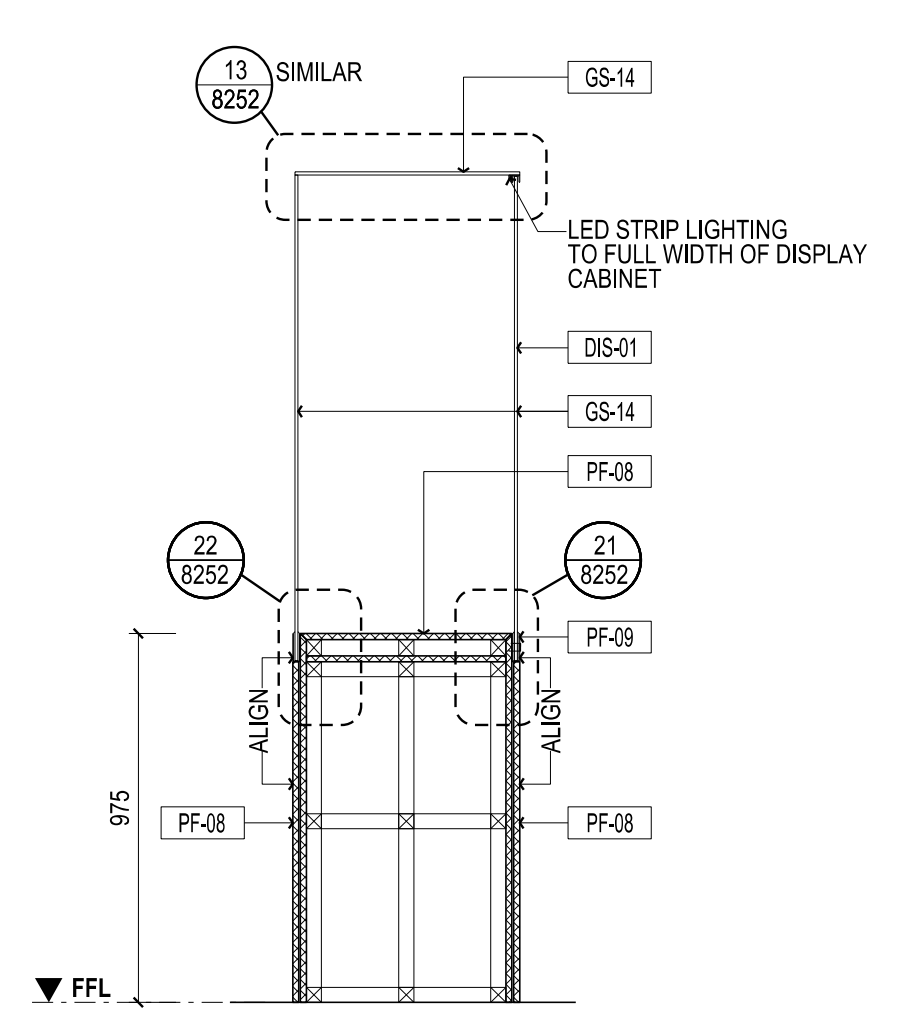
Title **JOINERY DETAILS B01 LIBRARY AND B02 GREEN ROOM**

Project No.	0913	Scale	1:20 @ A0 1:40 @ A2
Drawing No.	AR8150	Revision	D
Date	Dec 2011	Drawn	KW
		Co-Ord	SG
		Chk	JA

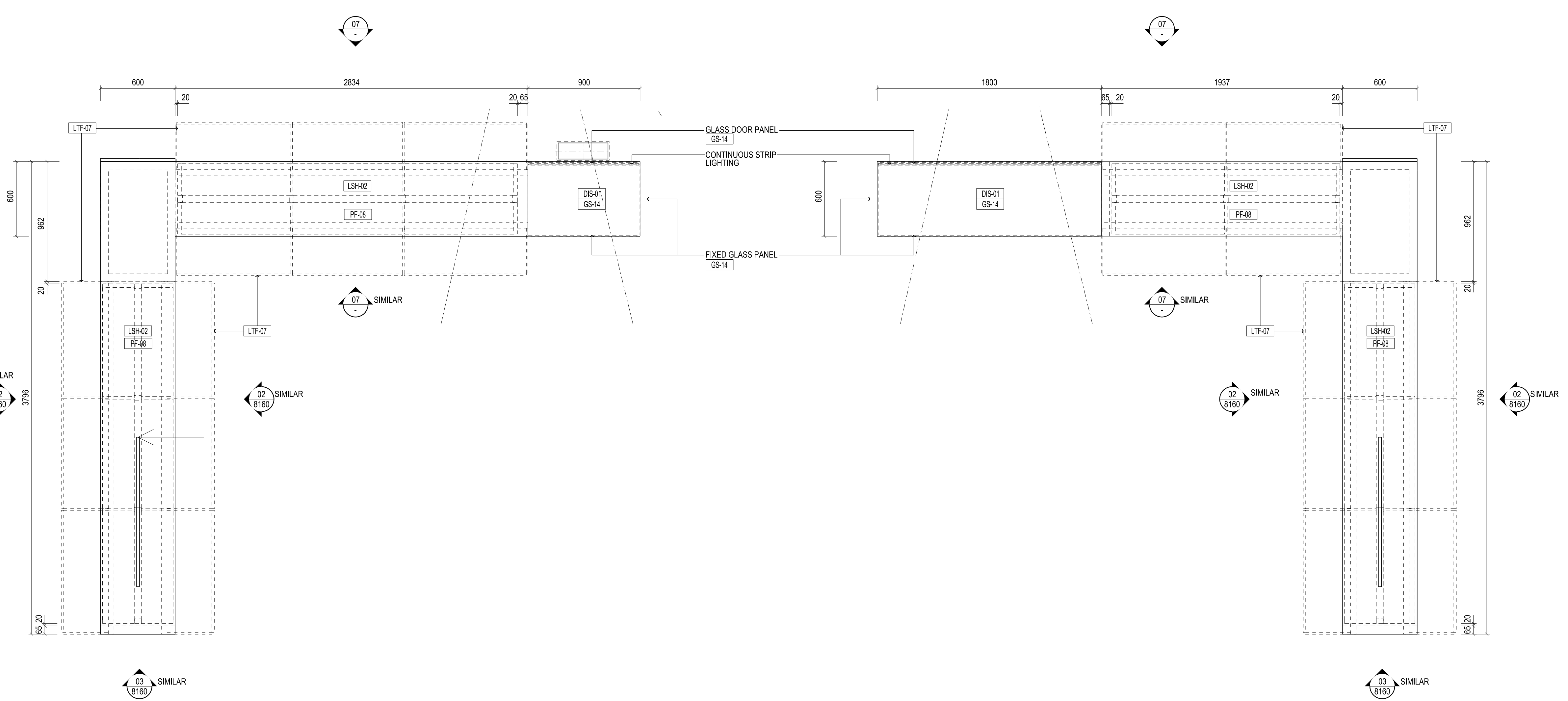
FOR CONSTRUCTION



ELEVATION - JOB-02 & JOB-03
 LIBRARY SHELVING AND SHROUD TYPE F & G, AND DISPLAY CASE
 SCALE 1:20

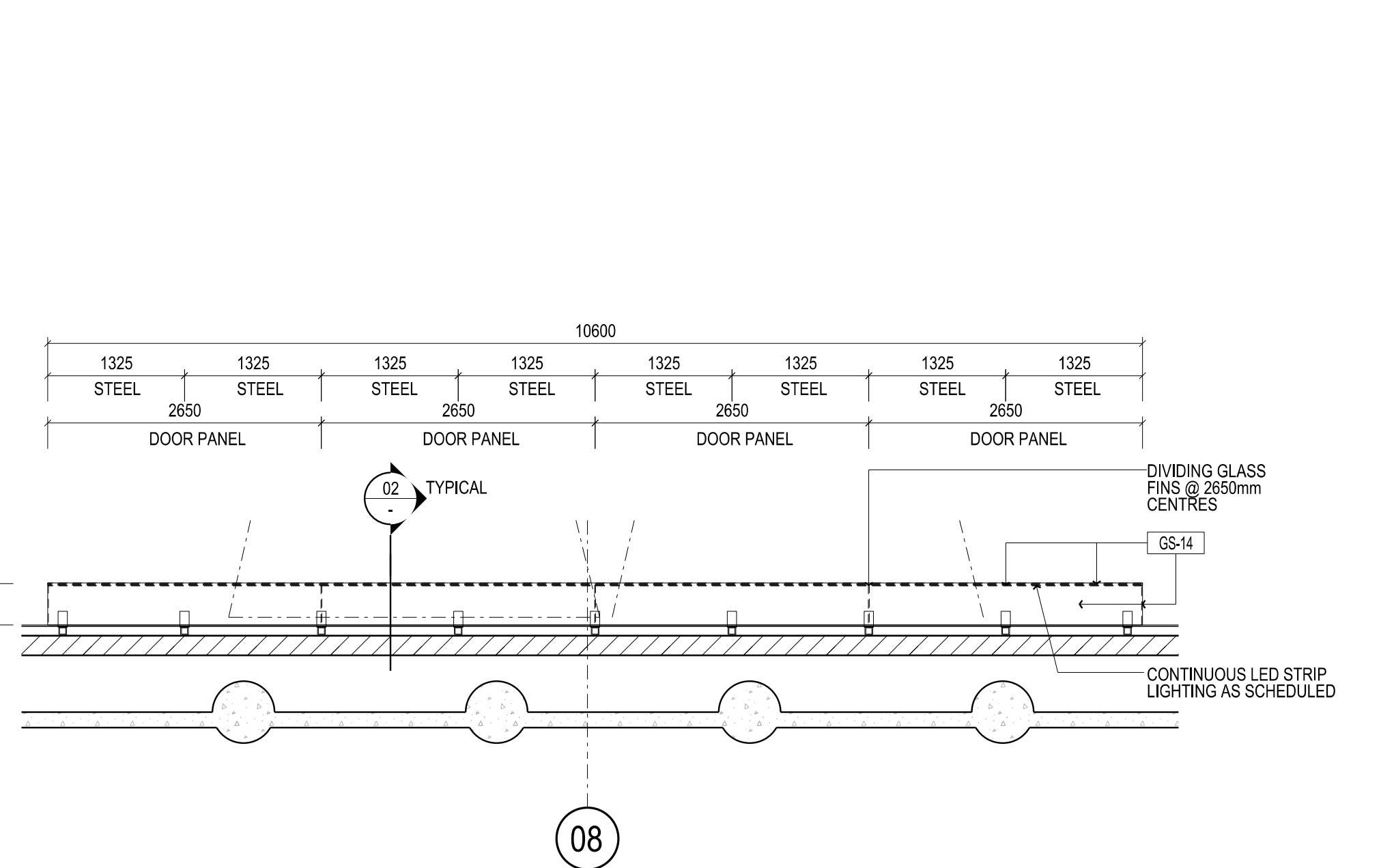


SECTION - JOB-02 & JOB-03
 DISPLAY CASE
 SCALE 1:20

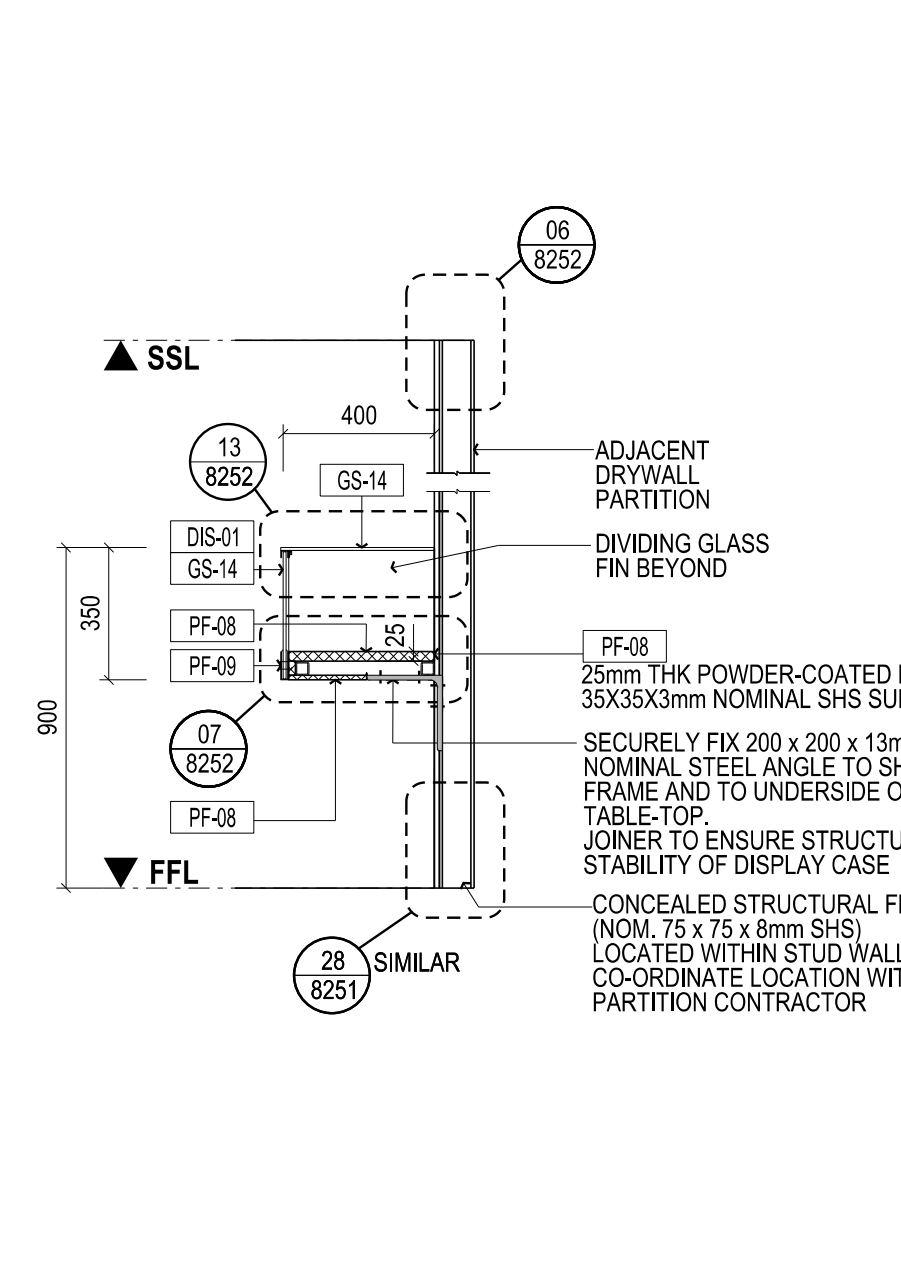


PLAN - JOB-02
 LIBRARY SHELVING AND SHROUD TYPE F, AND DISPLAY CASE
 SCALE 1:20

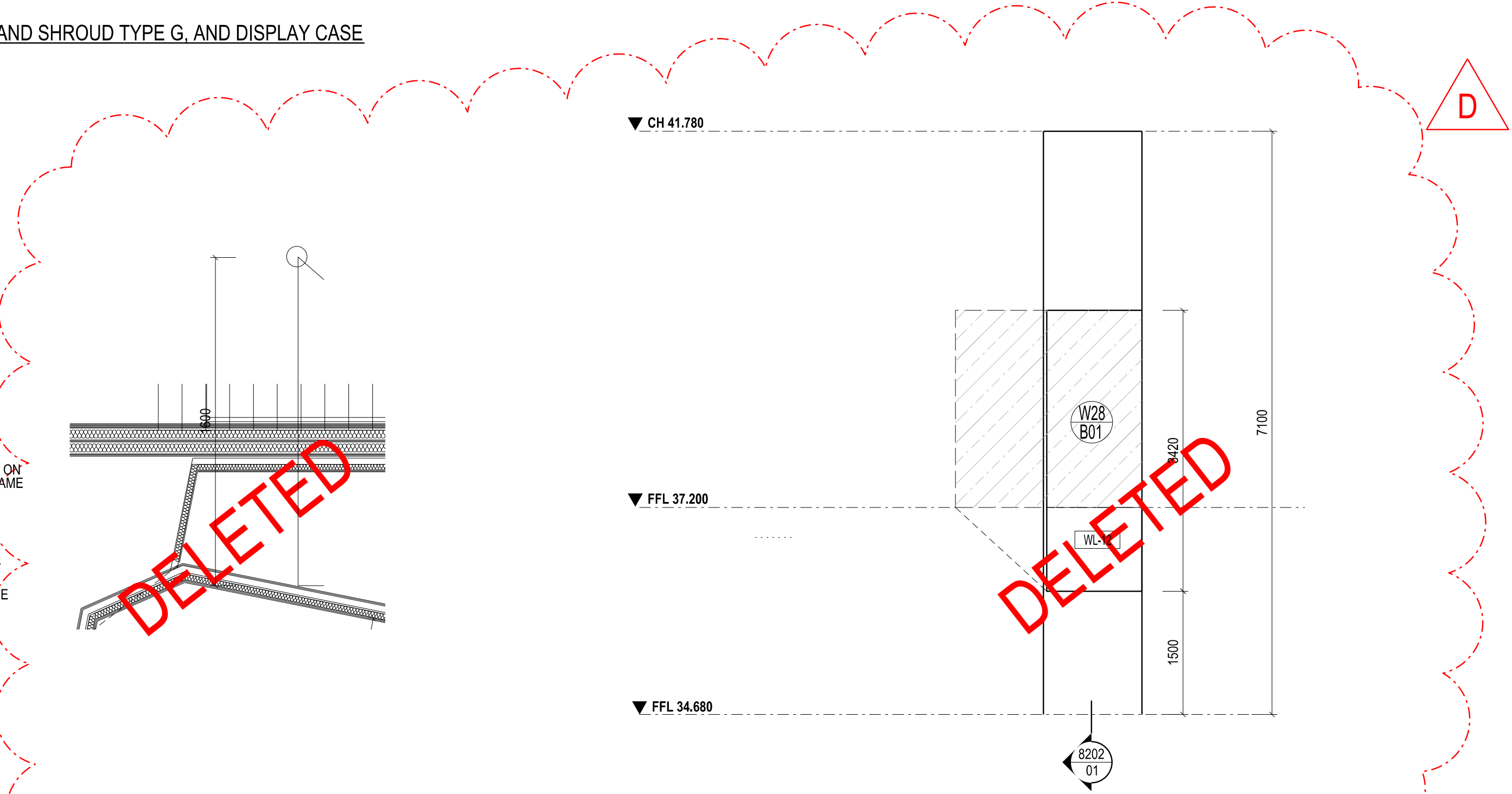
PLAN - JOB-03
 LIBRARY SHELVING AND SHROUD TYPE G, AND DISPLAY CASE
 SCALE 1:20



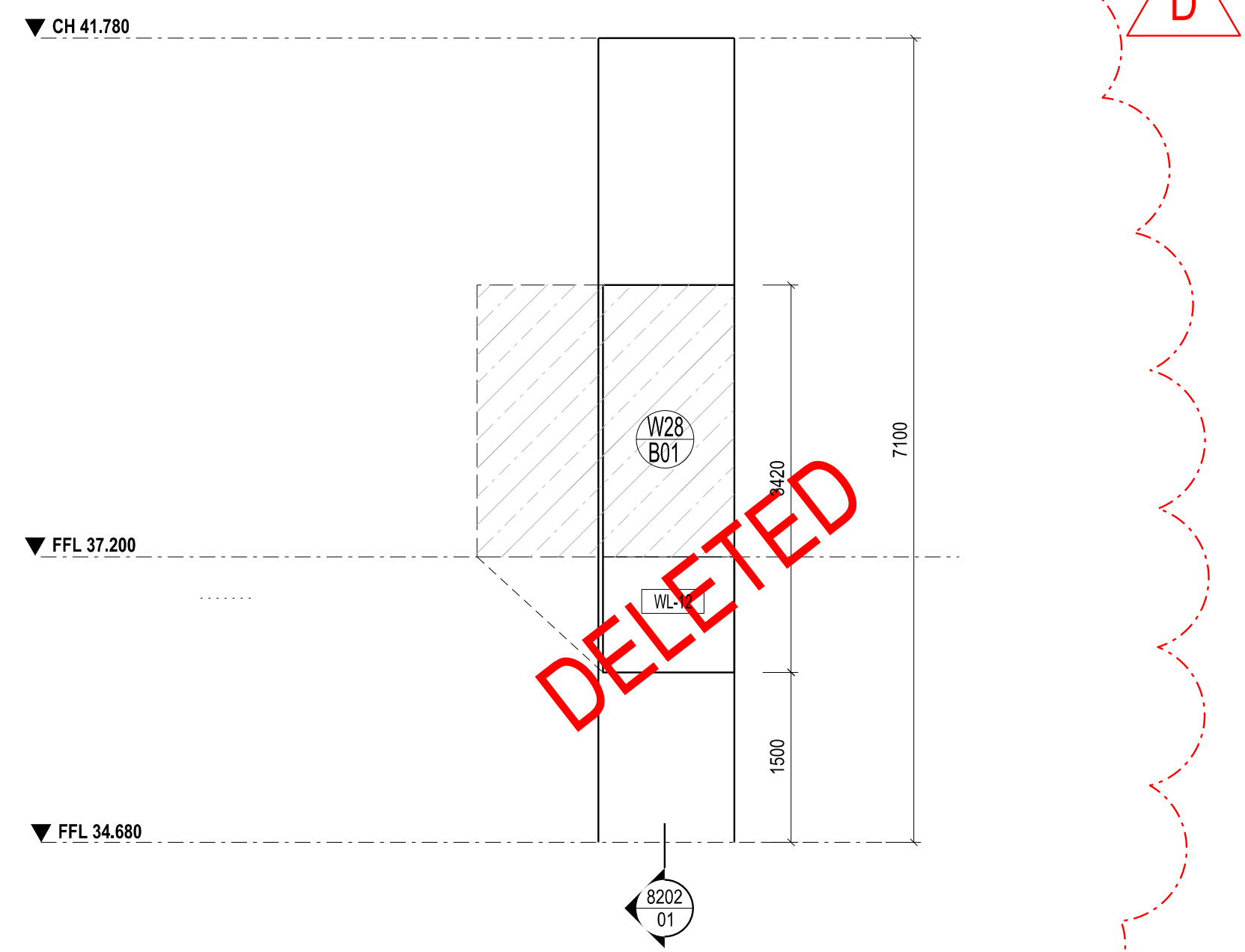
PLAN - JOB-37
 LIBRARY DISPLAY CASE
 SCALE 1:50



SECTION - JOB-37
 LIBRARY DISPLAY CASE
 SCALE 1:20



PLAN - JLB-01
 COAT CUPBOARD GREEN ROOM
 SCALE 1:50



ELEVATION - JLB-01
 COAT CUPBOARD GREEN ROOM
 SCALE 1:50